

650

medium

PROI



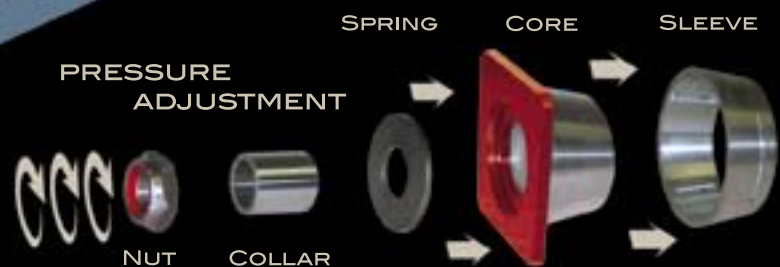
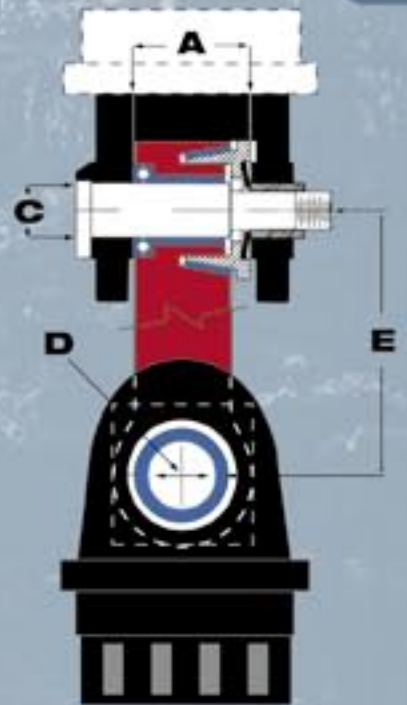
B3650

A=80mm
B=80mm
C=35mm - 45mm
D=35mm
E=220mm



B3658

A=80mm
B=80mm
C=45mm
D=35mm
E=220mm



PROLENC®

Heavy Duty Swing Brake



1500

XXL

1000

XL



1000

- A = 135mm
- B = 45mm, 1³/₄" , 2" , 2¹/₆"
- C = 45mm, 1³/₄" , 2" , 2¹/₆"
- D = 190mm



1500

- A = 190mm
- B = 2" , 2¹/₂"
- C = 2" , 2¹/₂"
- D = 203mm

300

Large

500

XL

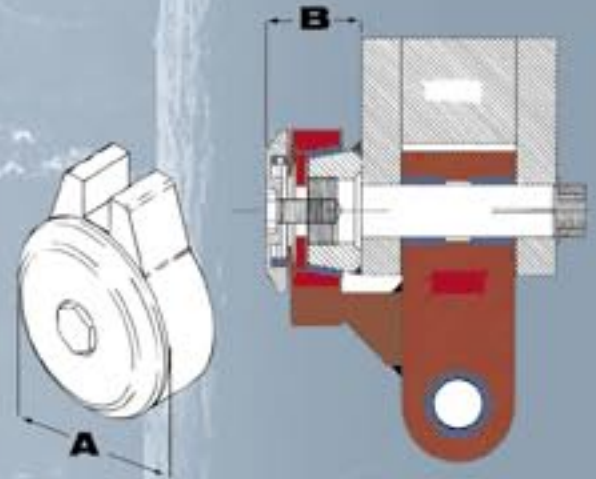
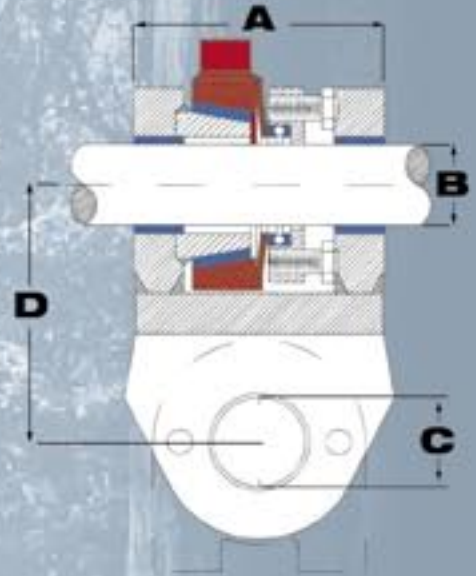


300

- A=80mm
- B=100mm

500

- A=80mm
- B=100mm



PATENTED

CANADA 2,257,056
2,085,017

USA 5,451,087
6,264,013

SWEDEN 521,177

Other Patents Pending

QUADCO

EQUIPMENT INC.

North America 800-668-3340

Overseas 250-563-8899

www.quadco.com