



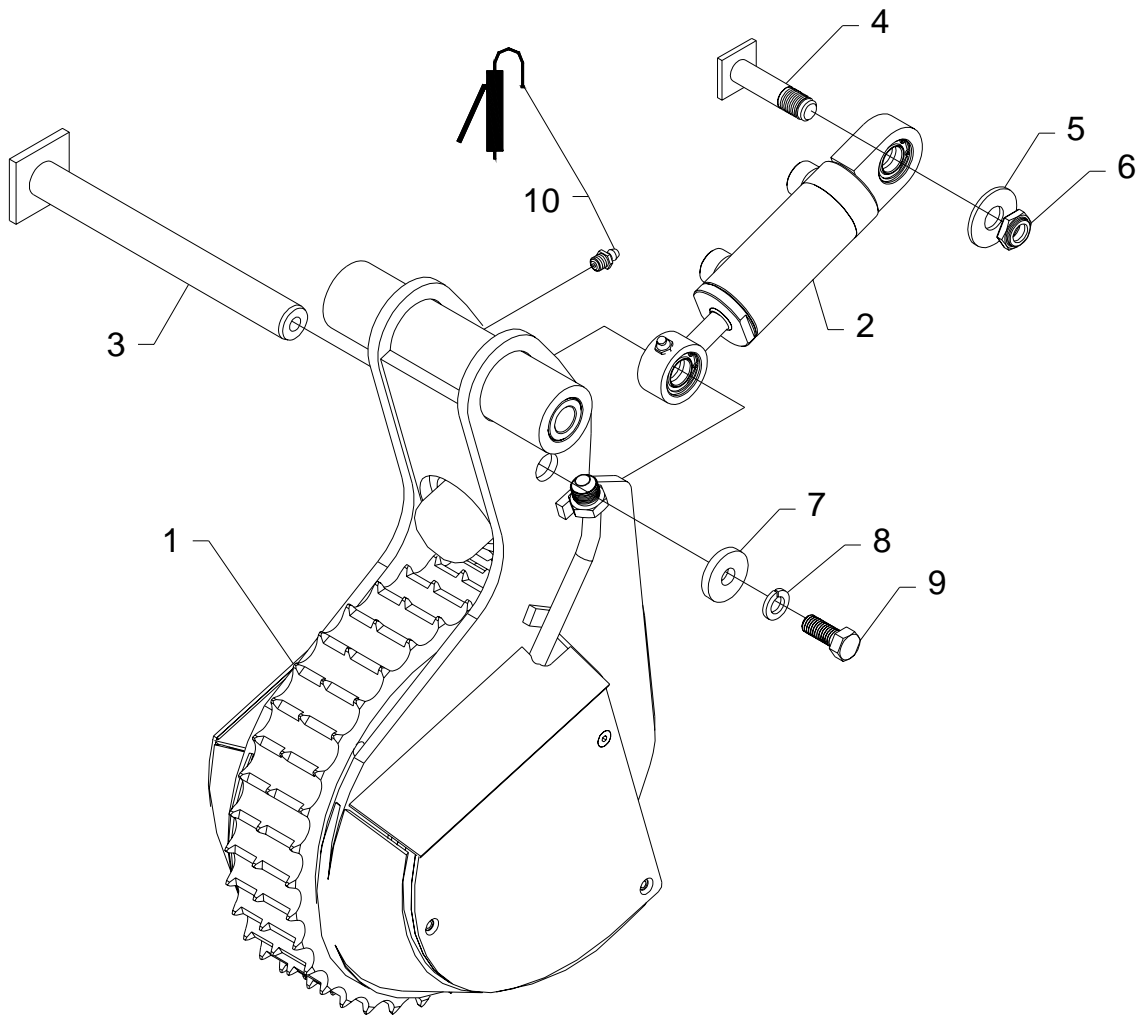
S ECTION **3-3**
WHEEL MEASURING

QU 5081
(7500)

- 3-3-2 [Complete Length measuring ass'y](#)
- 3-3-4 [Length measuring ass'y](#)
- 3-3-6 [Length measuring cylinder](#)

WHEEL ASS'Y

NEXT PAGE

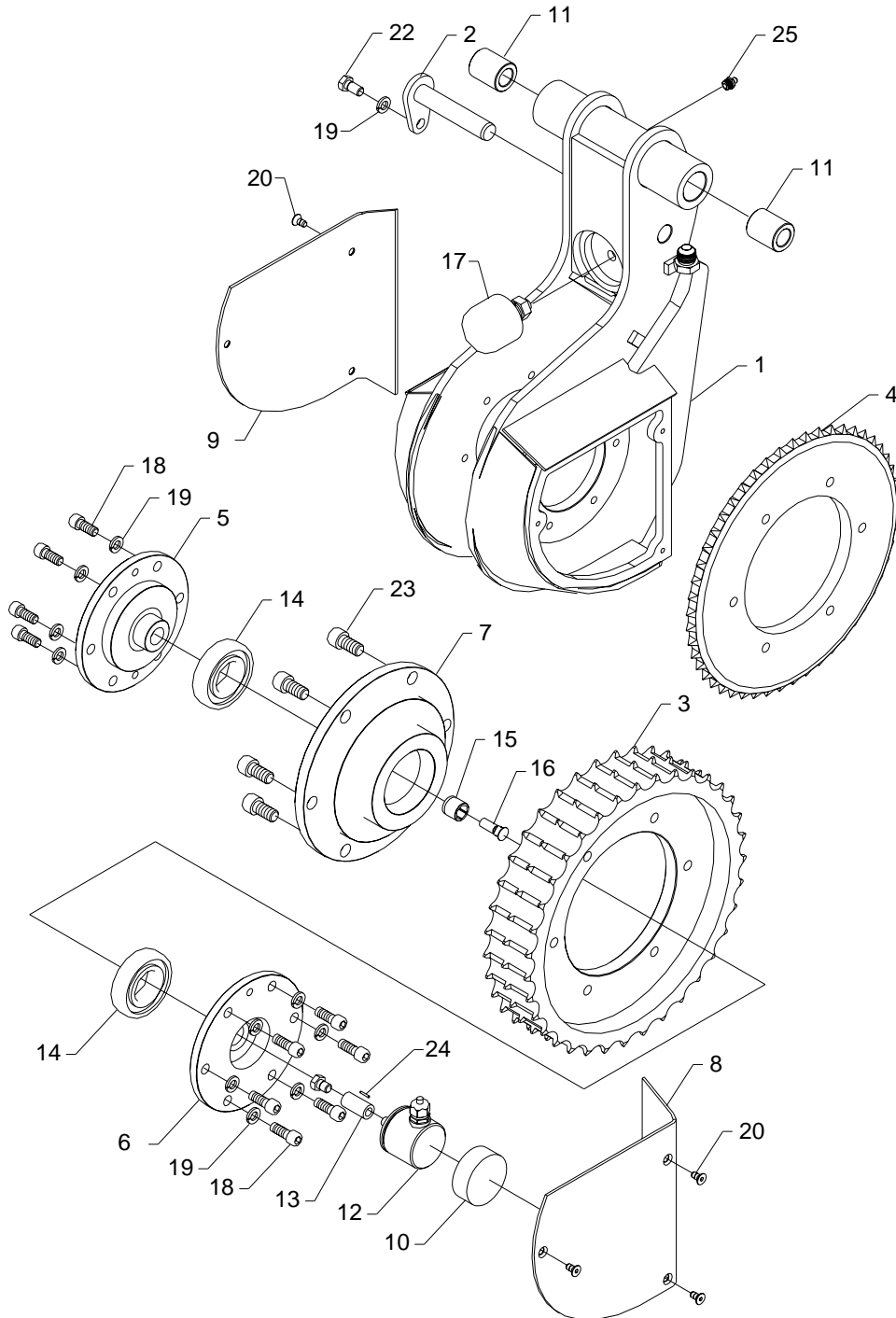


WHEEL ASS'Y

ITEM	PART No	DESCRIPTION	QTY
1	QU 8081	WHELL MESURING ASS'Y	1
2	QFH 11428	WHELL MEASURING CYLINDER ASS'Y	1
3	QU 1231 LN	WHEEL MEASURING PIN ASS'Y (INCLUDED # 7,8,9)	1
4	QU 1236 LN	CYLINDER PIN ASS'Y (INCLUDED # 5,6)	1
5	0FWH12	FLAT WASHER	1
6	0HNSH1216	ELASTIC LOCK NUT	1
7	QU 1230	WASHER PIN	1
8	0LWH08	LOCK WASHER DIA 1/2"	1
9	01081320 8	HEX. HD. BOLT DIA 1/2-13NC x 1.25" Gr8	1
10	A21610	GREASE NIPPLE	1

WHEEL MEASURING ASS'Y
QU 5081

[NEXT PAGE](#)

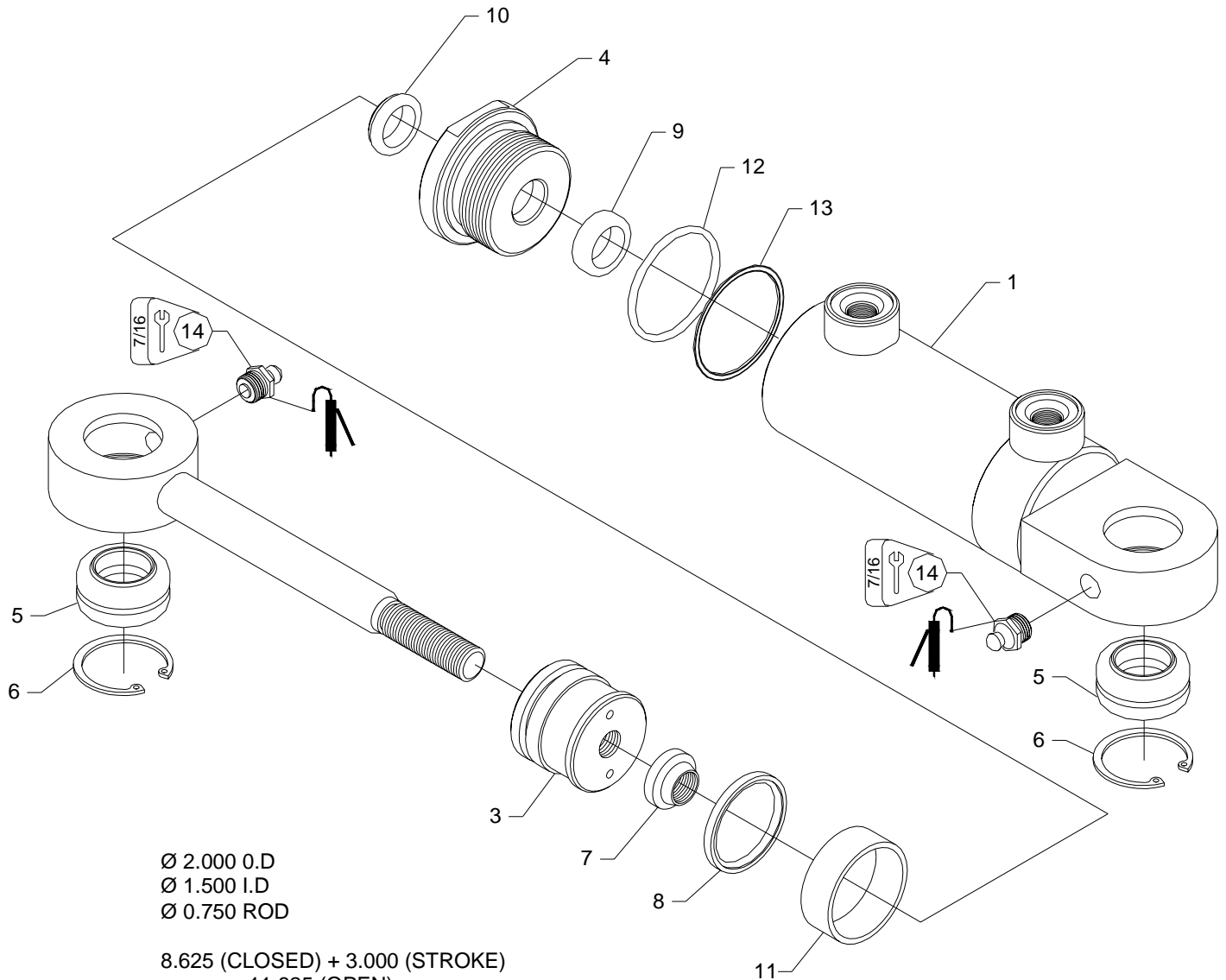


WHEEL MEASURING ASS'Y
QU 5081

ITEM	PART No	DESCRIPTION	QTY
1	QU 4084	MEASURING LINK ASS'Y	1
2	QU 1222	PIN ASS'Y	1
3	QU 4087	WHEEL MEASURING ASS'Y	1
4	019-034000	WHEEL MEASURING ROLL	OPT.
5	QU 1213	BEARING MOUNT HUB	1
6	QU 1214	ENCODER MOUNT HUB	1
7	QU 1217	CENTRAL HUB	1
8	QU 2724	LEFT COVER GUARD	1
9	QU 2725	RIGHT COVER GUARD	1
10	019-016029	RETAINING CUP	1
11	QU 1299	BUSHING	2
12	090-150011	ROTARY ENCODER	1
13	019-022108	COUPLING HOSE	1
14	QU 8065	BEARING SKF	2
15	019-022107	MODIFIED SOCKET	1
16	019-022109	PLOW BOLT DIA 3/8 Gr8	1
17	006-012020	RUBBER STOPPER	1
18	02061614	SOCKET HEAD DIA 3/8-16NC x 7/8"	12
19	0LWH06	LOCK WASHER DIA 3/8"	13
20	03042008	COUNTER SINK BOLT DIA 1/4-20NC x 1/2"	6
21	01061608 8	HEX. HD. BOLT DIA 3/8-16NC x 1/2" Gr8	1
22	01061612 8	HEX. HD. BOLT DIA 3/8-16NC x 3/4" Gr8	1
23	02081316	SOCKET HEAD DIA 1/2 x 1"	6
24	QU 8070	DIA 5/64 LENGTH 1/2"	1
25	A21610	GREASE NIPPLE	1

WHEEL MEASURING CYLINDER ASS'Y
QFH 11428

[NEXT PAGE](#)



Ø 2.000 O.D
Ø 1.500 I.D
Ø 0.750 ROD

8.625 (CLOSED) + 3.000 (STROKE)
11.625 (OPEN)

WORKING PRESSURE 4000 PSI
TEST PRESSURE 3000 PSI

WHEEL MEASURING CYLINDER ASS'Y
QFH 11428

ITEM	PART No	DESCRIPTION	QTY
1	QFH 11429	CYLINDER TUBE ASS'Y	1
2	QFH 11446	CYLINDER ROD ASS'Y	1
3	QHH 11324	PISTON	1
4	QHH 11193	GLAND	1
5	QHH 8105	SPHERICAL PLAIN BEARING	2
6	QHH 8106	RETAINING RING	2
7	E121NTE080P	HEX. LOCK NUT DIA 1/2-20NF	1
8	QHH 11050	PISTON SEAL	1
9	QHH 11194	POLYPACK	1
10	QHH 11195	WIPER RING	1
11	QHH 11051	WEAR RING	1
12	Q15221	O-RING	1
13	Q 15221B	BACK UP RING	1
14	A21610	GREASE NIPPLE	2
15	QFH 17051	SEAL KIT (INCLUDED # 8,9,10,11,12,13)	1